



**Flores  
Valles**

 International  
Division

[www.floresvalles.com](http://www.floresvalles.com)



**Laboratory Furniture & Fume Hoods**

# Flexible System

“C”-Frame Laboratory Furniture System



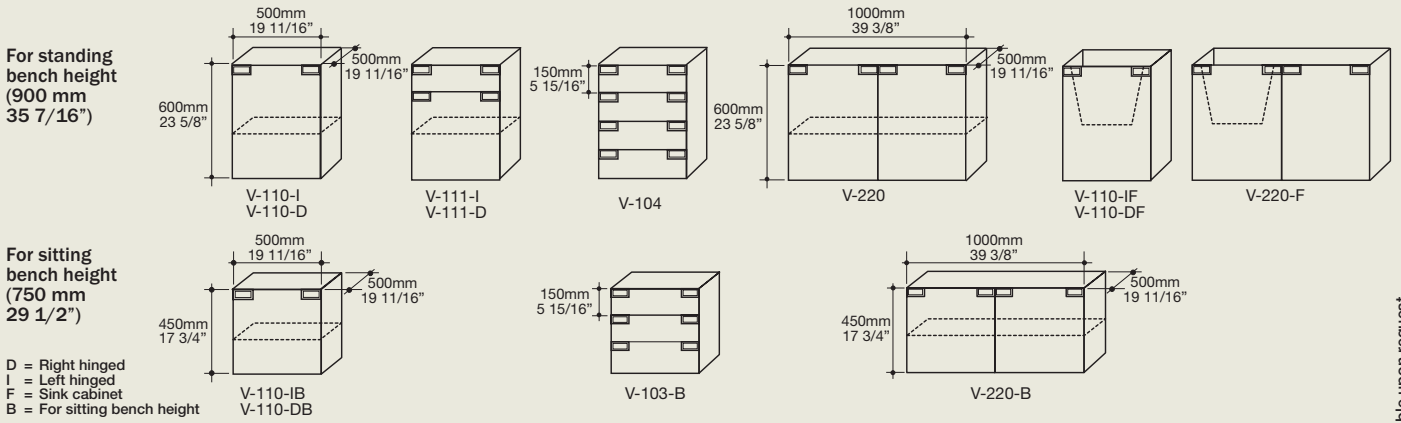
# Fixed System

“Floor” Mounted Laboratory Furniture System



# For Flexible System

## FLEXIBLE CABINETS\* (For "C" Frame System)

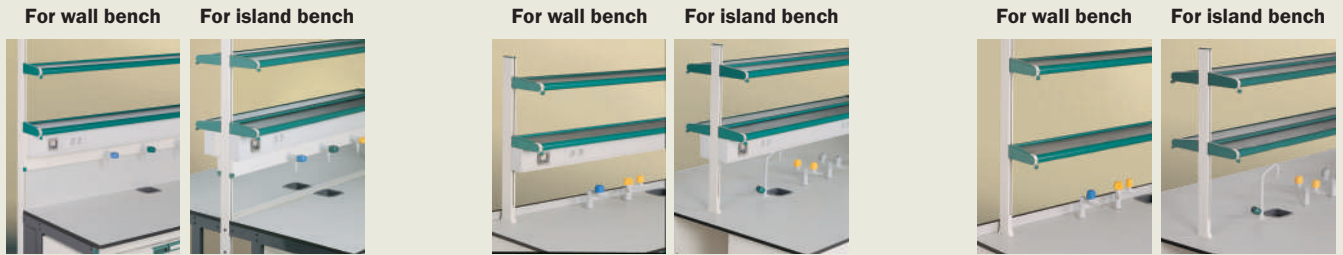


## SHELVES

Reagent Shelves  
(Chase for service fixtures and horizontal electrical raceway)

Bench Mounted Shelves  
(with horizontal electrical raceway)

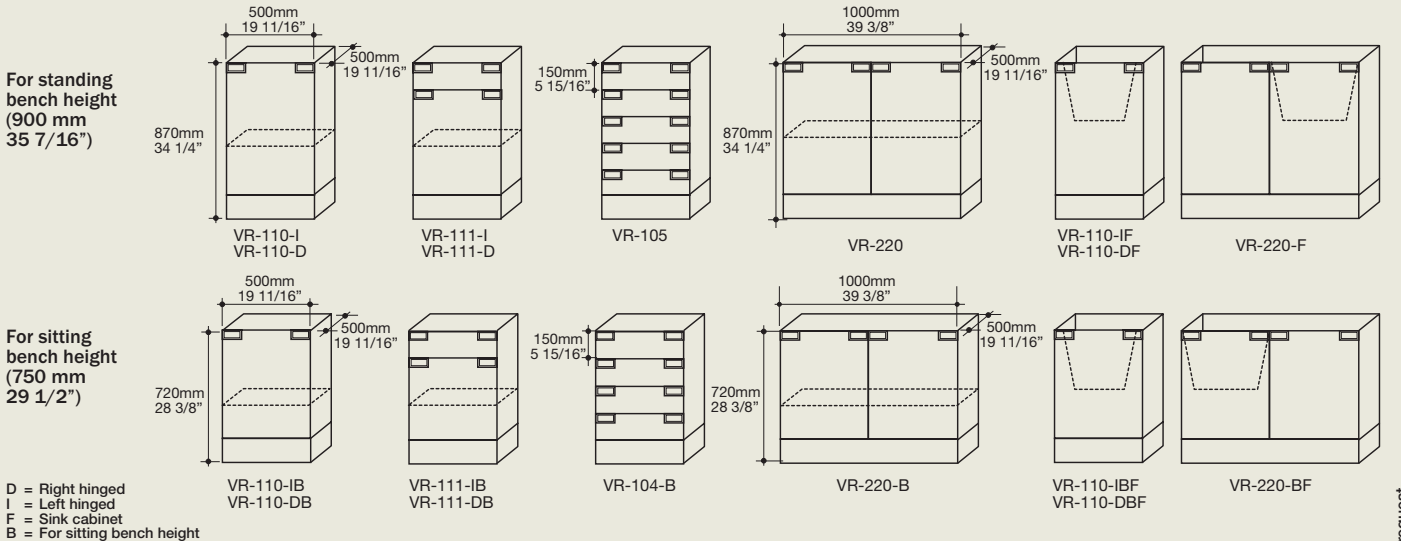
Bench Mounted Shelves



\* Other models available upon request

# For Fixed System

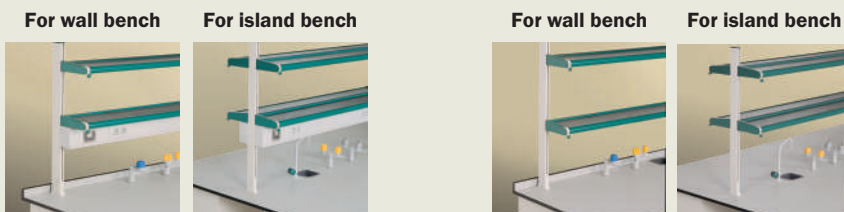
## FIXED CABINETS\* (For Floor Mounted System)



## SHELVES

Bench Mounted Shelves  
(with horizontal electrical raceway)

Bench Mounted Shelves



\* Other models available upon request

# General Specifications

## CABINETS

Casework constructed of 18-22 gauge zinc coated, cold rolled steel sheet with epoxy powder coated finish (chemical resistant)

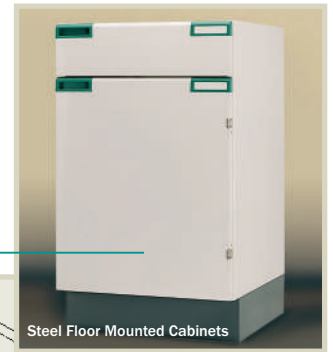
**"C" Frame Cabinets** are 600 mm (23 5/8") high for standing bench height or 450 mm (17 3/4") high for sitting bench height to keep minimum 195 mm (7 11/16") clear space to the floor.

"C" Frame Cabinets glide freely along the entire horizontal length of the bench without the use of tools or removal of the work surface.

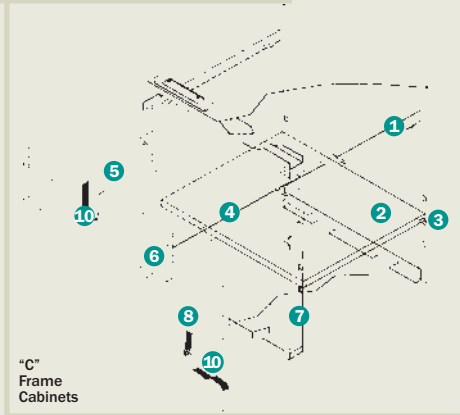
**Steel Floor Mounted Cabinets (Fixed Cabinets)** are 870 mm high (34 1/4") for standing bench height or 720 mm (28 3/8") for sitting bench height included a plinth of 120 mm (4 3/4") for a full use of space above the work surface.



"C" Frame Cabinets

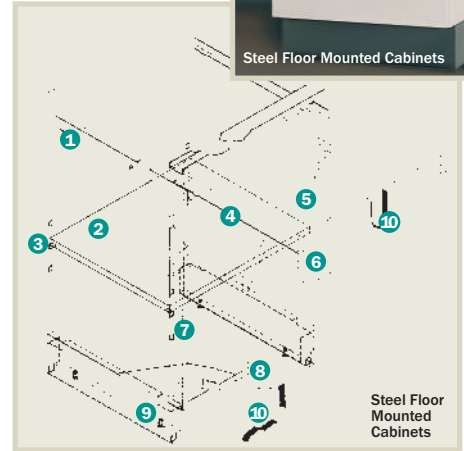


Steel Floor Mounted Cabinets



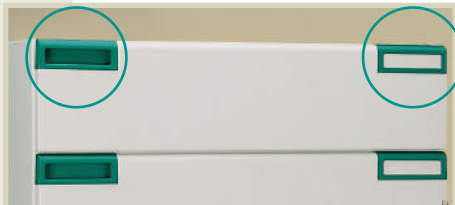
"C" Frame Cabinets

- 1 Channel Rail
- 2 Adjustable Shelf
- 3 Zinc-plated Adjustable Shelf Support Clips
- 4 Drawer Guides
- 5 Drawer Body
- 6 Double Wall Drawer Front
- 7 Reinforced Steel Frame
- 8 Double Wall Door
- 9 Levelling Device
- 10 Sound Deadening Material

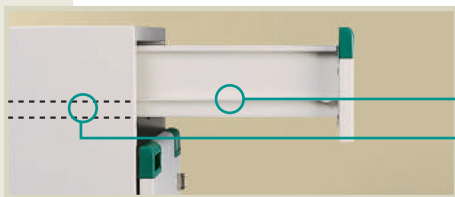


Steel Floor Mounted Cabinets

## FEATURES



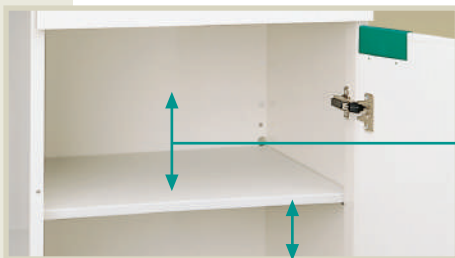
Drawer and door fronts include pull handle and label holder made of a high chemical resistant Polyamide



Doors and drawers are made of double wall construction filled with sound deadening material

Reinforced 14 gauge steel drawer guides

Reinforced 14 gauge steel channel rail

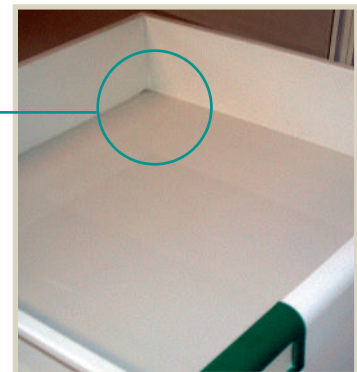


Cabinets are provided with an adjustable steel shelf coated with PVC for easy cleaning and improved flexibility and durability.

One piece radiused (no joints) steel drawer body



Durable hinges mounted on a reinforced epoxy coated 16 gauge steel frame with a 270° opening



## PROPERTIES

### Durable

### Maintainable



Impact resistant



Scratch & wear resistant



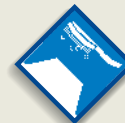
Chemical resistant



Heat resistant



Moisture resistant



Easy to clean



Hygienic

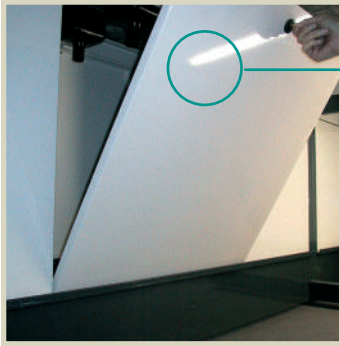


Easy to decontaminate

# General Specifications

## FRAME

Frames are minimum 12 gauge cold rolled, zinc coated steel tubing, 60 mm x 30 mm (2 3/8" x 1 3/16") with epoxy powder coating for corrosion resistance.



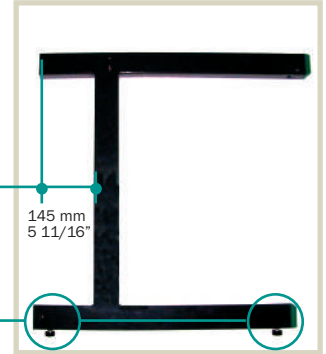
Removable steel panel provides convenient service access and maintenance. Constructed of zinc coated minimum 20 gauge steel, epoxy powder coated for corrosion resistance.

Our design of "C" frame provides a flexible and functional system for support of cabinets, shelving, work surfaces and sinks.

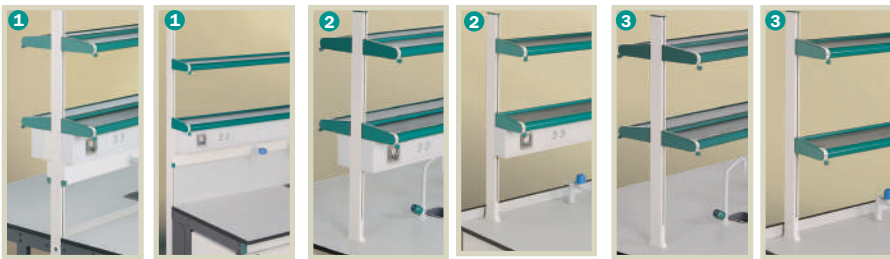
A minimum of 145 mm (5 11/16") space behind base cabinets, between vertical support members for service, waste and electrical lines.

Our System allows total horizontal positioning and removal, relocation and reinsertion of cabinets without restriction or limitation of "C" frame leg.

Each "C" frame leg is equipped with two levelling devices for uneven floors.

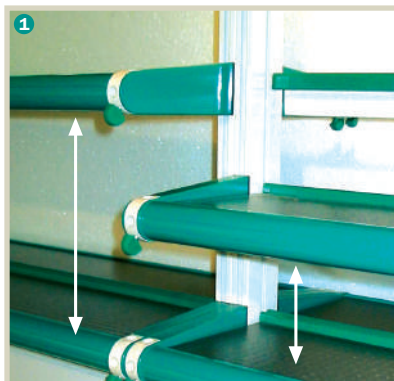


## SHELVING



### Available Shelves Systems:

- 1 Reagent Shelves (available only with "C"-Frame Laboratory Furniture System).
- 2 Bench Mounted Shelves (available with both "C"-Frame and Floor Mounted Laboratory Systems).
- 3 Bench Mounted Shelves (available with both "C"-Frame and Floor Mounted Laboratory Systems).

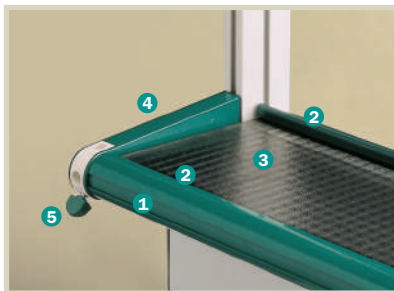


### Shelving system is formed of:

- 1 Vertical extruded aluminum profiles with epoxy coating designed to support shelves or overhead cabinets.
- 2 Independent adjustable shelves: manual and ergonomic height adjustability over entire length of vertical supporting structure by tightening T-clamps side support brackets, providing flexibility and functionality.

### Shelves include :

- 1 Horizontal label holders support made of aluminum with epoxy coating protection.
- 2 Front and back retainage lips to contain spills and objects.
- 3 Chemical resistant storage surface: safety glass of 6 mm (1/4") thickness.
- 4 Large storage capacity: 167 mm (6 9/16") depth or 301 mm (11 7/8") depth.
- 5 Shelves include device to attach optional distillation grid assembly (5.1) and task lighting unit (5.2)



### Reliable

### Aesthetical



Fire resistant



Quality assured



Environment friendly



Color options



Product finishing



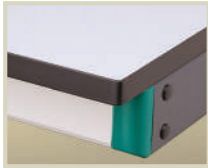
Accesories



Versatility

## Work Surfaces

For other material or size, contact us



Phenolic Resin  
20 mm (3/4") TRESPA  
ATHLON OR TOPLAB+



Epoxy resin  
25 mm (1")



Ceramic  
20/28 mm (3/4")/(1 1/8")



Granite  
20 mm (3/4")



Stainless Steel grade 304 or  
grade 316 19 Ga/16 Ga thk  
on 40 mm (1 9/16") support



Plastic laminate  
30 mm (1 3/16")

## Services Fittings

For different design, contact us

### Water Faucets on Worktop



Fixed swanneck with  
serrated nozzle



Mixed tap with swivel  
nozzle



Bib tap with serrated  
nozzle



Monobloc single handle  
with swivel swanneck

### Service Fixtures on Worktop

(available for water,  
gas, vacuum,  
compressed air,...)



Single way



Two way at 180°



Two way at 90°



Four way

### Service Fixtures on Chase

(available for water,  
gas, vacuum,  
compressed air,...)



## Electrical Fixtures



USA STANDARD  
Outlet NEMA 15 or  
20 A/125 V



BRITISH STANDARD  
Outlet 13 A/250 V



FRENCH STANDARD  
Outlet 10 or  
16 A/250V



GERMAN STANDARD  
Outlet SCHUKO 10 or  
16 A/250 V



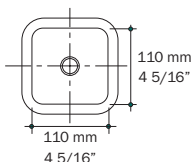
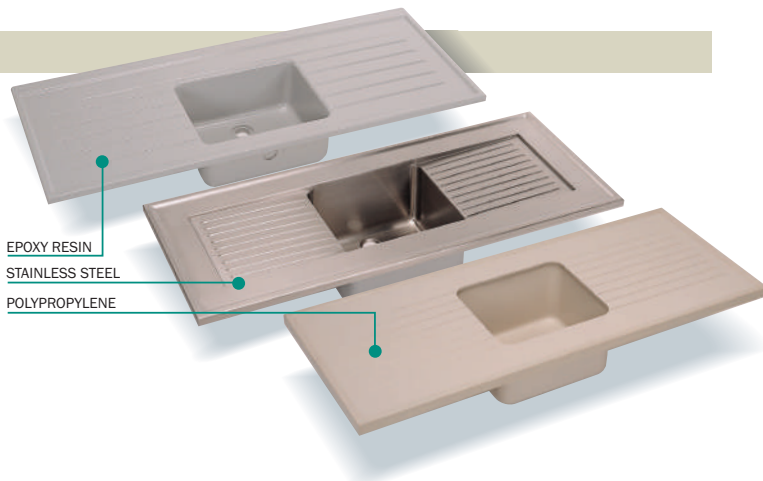
BACKSPLASH  
MOUNTED



HORIZONTAL ELECTRICAL  
RACEWAY MOUNTED

## Sinks and Cupsinks

MODEL	SIZES FOR STAINLESS STEEL AND POLYPROPYLENE SINKS	SIZES FOR EPOXY RESIN SINKS
	500 x 750 mm 19 11/16" x 29 1/2" 500 x 600 mm 19 11/16" x 23 5/8"	500 x 750 mm 19 11/16" x 29 1/2"
	1000 x 750 mm 39 3/8" x 29 1/2" 1000 x 600 mm 39 3/8" x 23 5/8"	1000 x 750 mm 39 3/8" x 29 1/2"
	1000 x 750 mm 39 3/8" x 29 1/2" 1000 x 600 mm 39 3/8" x 23 5/8"	1000 x 750 mm 39 3/8" x 29 1/2"
	1500 x 650 mm 59 x 25 9/16" 1560 x 650 mm 61 7/16" x 25 9/16"	1540 x 640 mm 60 5/8" x 25 3/16"



POLYPROPYLENE  
CUPSINK



# Flores Valles

## Laboratory Furniture & Fume Hoods



International Division

### A complete line of Lab Equipment



Desk



Distillation Bench



Balance Table



Chromatography Bench



Tall Cabinets



Acid & Alkali Storage Cabinets

### Solutions for Lab Safety

#### Adiprol Fume Hoods



Bench Mounted Type



"C" Frame Base Mounted



Standard Base Cabinet Mounted

**For a complete Fume Hood brochure, contact us**

For further details, contact us:

Flores Valles - International Division: Tel: +34-91-761.10.94 Fax: +34-91-761.10.97 e-mail: [export@floresvalles.com](mailto:export@floresvalles.com) [www.floresvalles.com](http://www.floresvalles.com)



ASHRAE  
STANDARD

EN 14175



BS 7258

DIN 12924



For further information, contact:



**Flores  
Valles**



International  
Division

Isla de Jamaica, 10  
28034 Madrid (SPAIN)  
Tel.: +34 91 761 10 94  
Fax: +34 91 761 10 97  
export@floresvalles.com

[www.floresvalles.com](http://www.floresvalles.com)

© 2006 by Flores Valles S.A.

Dimensions are nominal, and illustrations and specifications are based on the latest product information available at the time of publication. Flores Valles reserves the right to make changes at any time without notice.